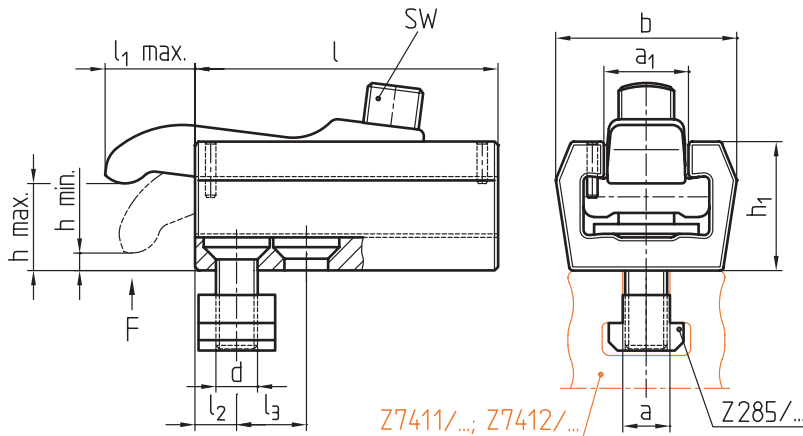



Z741/... (V2510/...)

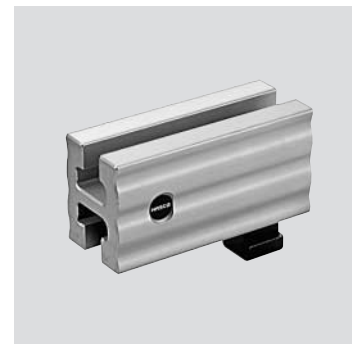
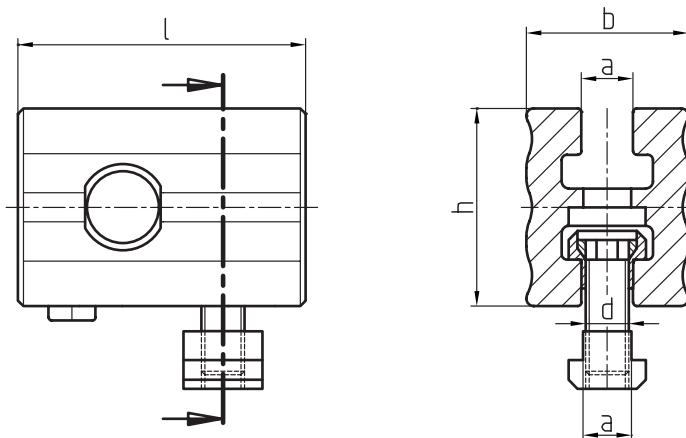
Mat.: ≈ 1.0501




Nm	F <sub>max.</sub> [KN]	SW	a <sub>1</sub>	b	d	h min.	h <sub>1</sub>	l <sub>1</sub> max.	l <sub>2</sub>	l <sub>3</sub>	 a	l	h max.	Nr./No.
60	30	8	24	52	M12	5	37	26	12	20	14	75	26	Z741/14x 75x26
	28							50				28	115	40
100	40	10	28	60	M16		42	30	15	25	18	85	30	18x 85x30
	38							58				32	130	46
150	50	12	34	75	M20		48	32	19		22	100	35	22x100x35
	48							65				38	150	51

Z7411/... (V2516/...)

Mat.: 3.4365 / 500–530 N/mm<sup>2</sup>



Z741/...	Z742/...	Z743/...	b	d	 a	h	l	Nr./No.
14x 75x26	14x 75x45	14x 95x50	45	M12	14	55	80	Z7411/14x55x 80
14x115x40	14x115x67	14x135x70					125	14x55x125
18x 85x30	18x 85x48	18x110x60	60	M16	18	70	80	18x70x 80
18x130x46	18x130x75	18x155x80					125	18x70x125
22x100x35	22x100x55	22x125x70	70	M20	22	90	100	22x90x100
22x150x51	22x150x85	22x175x90					180	22x90x180

This is trial version  
www.adultpdf.com